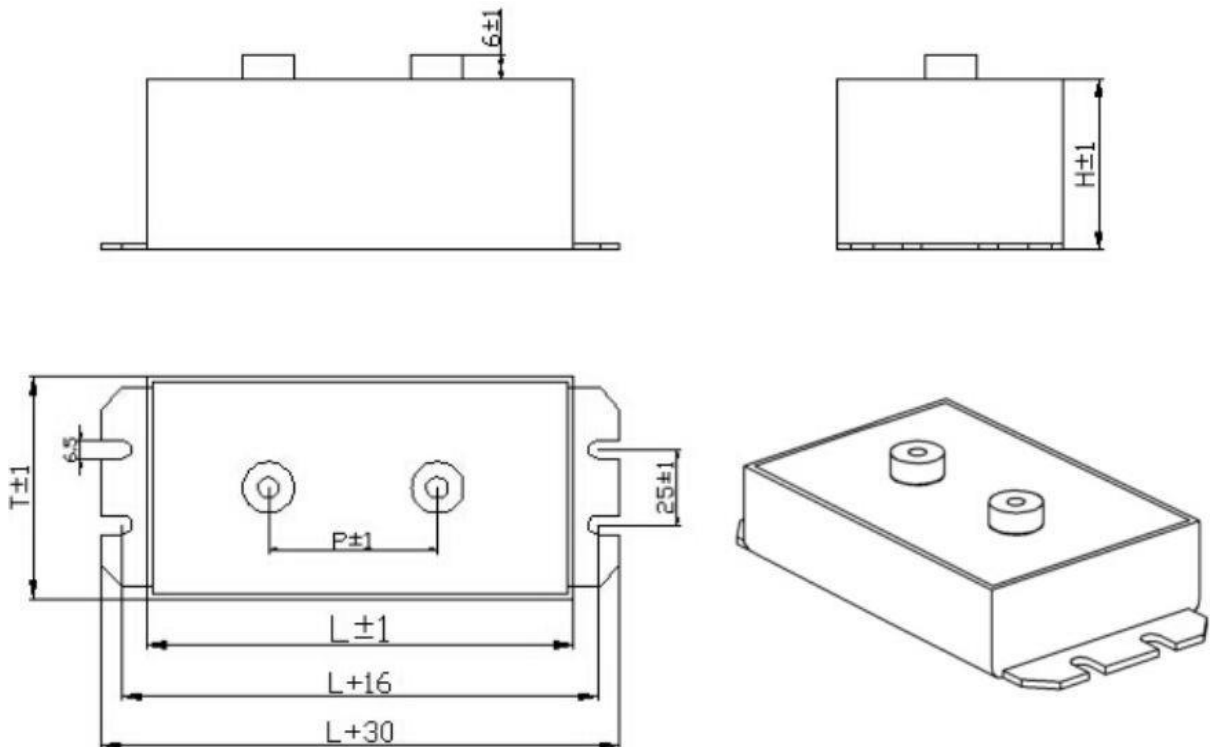
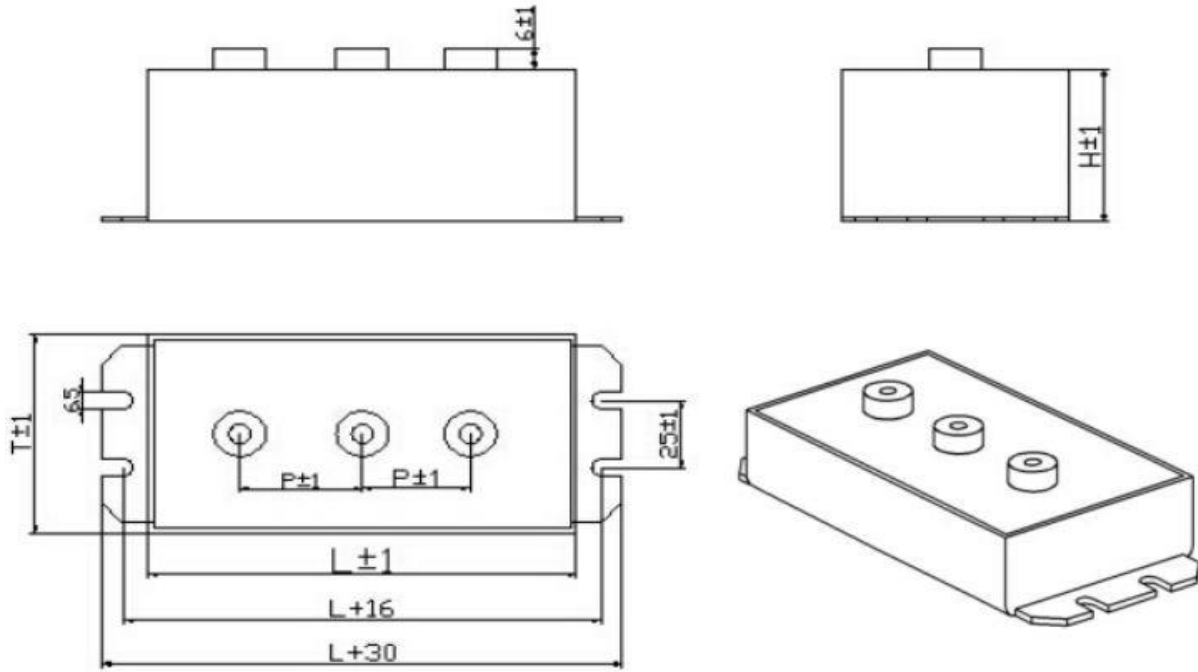


GENERAL TECHNICAL CHARACTERISTICS	
Reference standards :	IEC 61071-60068
Climatic category:	40/85/56
Dielectric :	Polypropylene film
Construction :	Extended double-side metallized carrier film with internal series connection and metallized film
Features:	Low ESR, Low Ls, High current. High voltage. high stability. Self-healing
Case :	Aluminum case
Leads	Treaded insert M6 or M8
ELECTRICAL CHARACTERISTICS	
Working temperature :	-40 to + 85°C(max hotspot≤70°C)
Storage temperature :	-40 to + 85°C
Capacitance :	2x(0.3~1.4); 0.6to1.35μF
Rated Voltage	2000 to 3000 Vdc
Tolerance :	± 5%(J) ± 10%(K)
Failure rate:	100FIT
Dissipation factor	≤ 7×10 ⁻⁴ Measured at 10kHz 25°C
Life expectancy :	100,000 hours at Un and 70°C
TEST METHODS AND PERFORMANCES	
Test voltage between terminals	1.5Un (10s at 20± 5°C)
Test voltage terminal and case :	3200Vac,(60s 50Hz 20± 5°C)
Insulation resistance (C* <i>Ri</i>) :	≥ 5000 s after 1 minute of electrification at 100Vdc (25±5°C)

Outline drawing:





Electrical specifications, ordering codes

Part Number	CAP μF	Dimension (mm)				du/dt v/μs	I _{rms} @45C @10kHz	Output insert
		L	T	H	P			
Un2000Vdc Urms 750 Vac								
CTR2000K2X0.6-#	2X0.6	125	65	35	28	1000	2x45	3xM6
CTR2000K2X0.8-#	2X0.8	125	65	35	28	1000	2x50	3xM6
CTR2000K2X1.0-#	2X1.0	145	80	35	28	1000	2x60	3xM6
CTR2000K2X1.2-#	2X1.2	145	80	35	28	1000	2x65	3xM6
CTR2000K2X1.4-#	2X1.4	145	80	35	28	1000	2x70	3xM6
Un3000Vdc Urms 1200 Vac								
CTR3000K0.6-#	0.6	75	75	45	28	1500	60	2xM6
CTR3000K0.8-#	0.8	125	65	45	28	1500	90	2xM6
CTR3000K1.1-#	1.1	155	80	45	60	1500	100	2xM8
CTR3000K1.35-#	1.35	165	85	45	60	1500	120	3xM8
CTR3000K2X0.3-#	2X0.3	125	65	45	28	1500	2x40	3xM6
CTR3000K2X0.6-#	2X0.6	125	65	45	28	1500	2x50	3xM6
CTR3000K2X0.75-#	2X0.75	145	75	45	28	1500	2x60	3xM6
CTR3000K2X0.8-#	2X0.8	145	75	45	28	1500	2x65	3xM6
CTR3000K2X0.9-#	2X0.9	155	80	45	28	1500	2x70	3xM8
CTR3000K2X1.0-#	2X1.0	160	85	45	28	1500	2x70	3xM8
CTR3000K2X1.2-#	2X1.2	175	90	45	28	1500	2x75	3xM8

Part Numbering System :

CTR3000K2x0.8-M6-145 “M6”=output “145” =Length